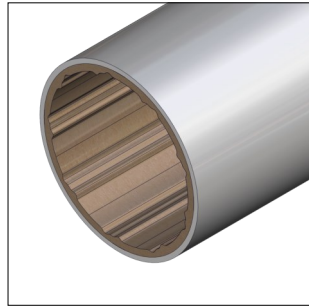


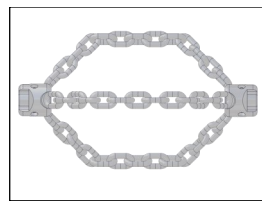
MICRO & MINI MILLER

Plastic Pipes

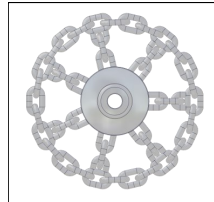
DESCALING



INTACT



Original Chain (PVC)



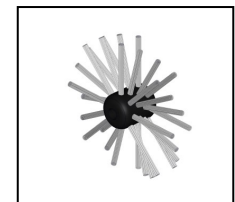
Cyclone Chain (PVC)



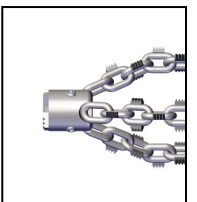
3D Chain (PVC)



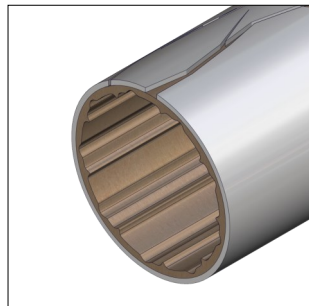
Smart Cutter™



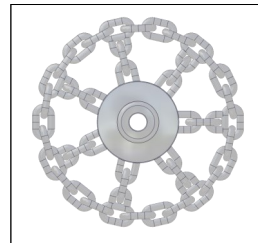
Nylon Cleaning Brush



Tiger Drill Chain (PVC)



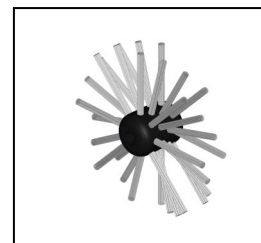
FRAGILE



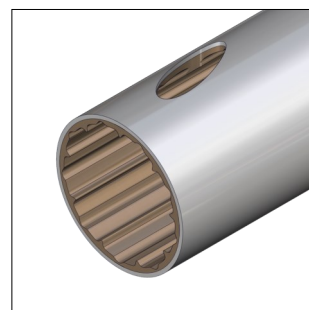
Cyclone Chain (PVC)



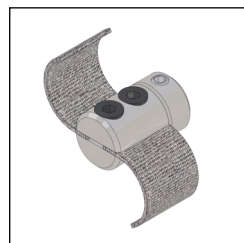
Smart Cutter™



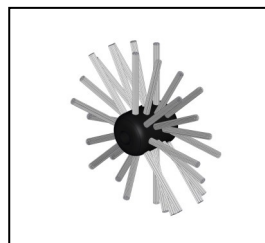
Nylon Cleaning Brush



DAMAGED

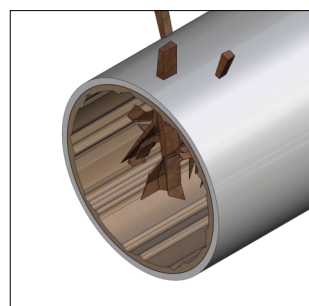


Smart Cutter™

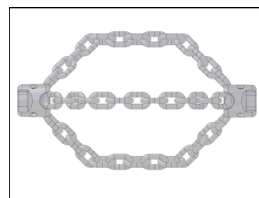


Nylon Cleaning Brush

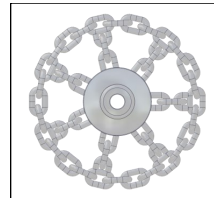
SPECIAL



ROOTS



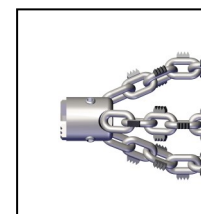
Original Chain (PVC)



Cyclone Chain (PVC)



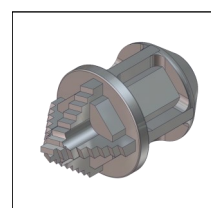
3D Chain (PVC)



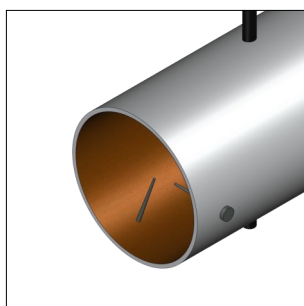
Tiger Drill Chain (PVC)



Twister Mini Express



Special Drill Head (PVC)



METAL

Refer to the Midi Cleaner, Super Midi and Maxi Miller Range of Machines

Micro Miller

Shaft Diameter: **8 mm (1/3")**

Micro Miller Range: **12 metres (39 ft)**

Additional Extension:** **10 metres (32 ft)**

Recommended Diameter Range: **DN50-100 (2-4")**

Mini Miller

Shaft Diameter: **8 mm (1/3")**

Mini Miller Range: **16 metres (50 ft)**

Additional Extension:** **10 metres (32 ft)**

Recommended Diameter Range: **DN50-100 (2-4")**

Available Tools	Size Diameter
Original Chain (PVC)	DN50-150 (2-6")
3D Chain (PVC)	DN50-100 (2-4")
Cyclone Chain (PVC)	DN70-150 (3-6")
Tiger Drill Chain (PVC)	DN75-100 (3-4")
Smart Cutter™	DN50-100 (2-4")
Nylon Brush*	DN50-150 (2"-6")
Special Drill Head (PVC)	DN50-75 (2-3")
Twister Mini Express	DN50-75 (2-3")

* Nylon brushes should only be used for removing fine dust or light mineral deposits.