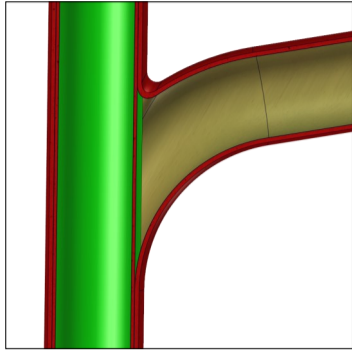


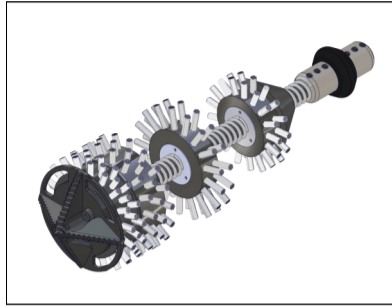
MAXI MILLER POWER+

Cast Iron Pipes

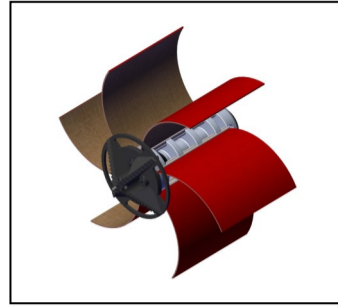
S
T
A
N
D
A
R
D



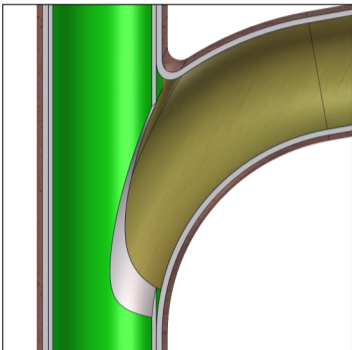
UNLINED



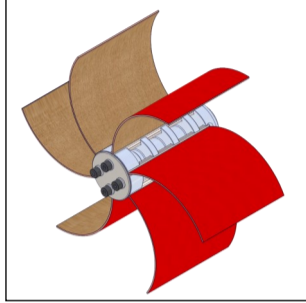
Twister+



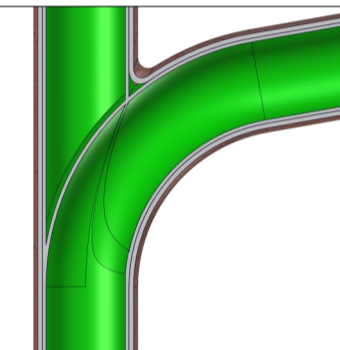
Smart Cutter™+



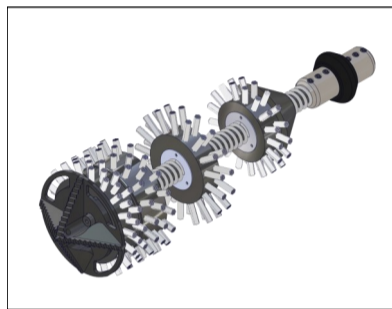
OPENED



Smart Cutter™+

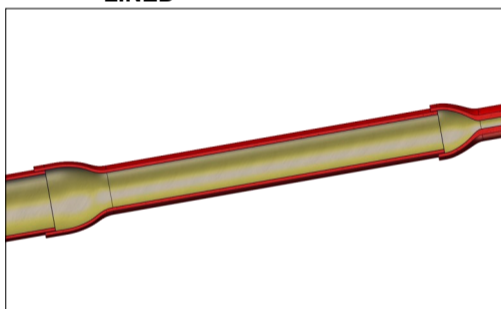


LINED

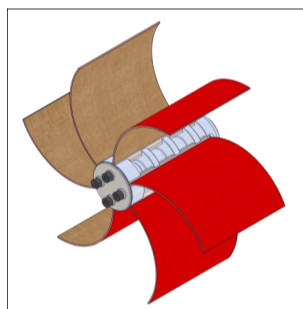


Twister+

S
P
E
C
I
A
L



SIZE CHANGE



Smart Cutter™+

Maxi Miller Power+

Shaft Diameter: 18mm (3/4")

Range: 18 metres (60ft)

Additional Extension**: 11 metres (36ft)

**Can be used with 2 shaft extensions sold separately.

Recommended Diameter Range:

DN100 (4") Straight Pipes Only

DN150 (6") - DN300 (12")

Power Supply:

3-Phase, 400-480V, EU/UK: 16A USA:30A

Maxi Miller Power+

Available Tools

Size Range

Twister+

DN150 (6") - DN300 (12")

Smart Cutter™+

DN100 (4") - DN300 (12")