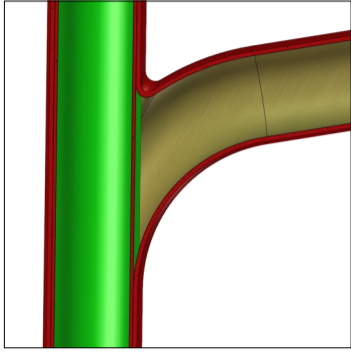


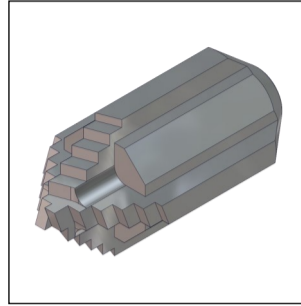
S
T
A
N
D
A
R
D



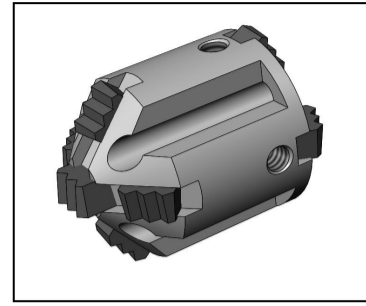
UNLINED



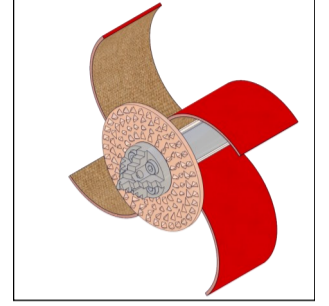
Twister Mini Express



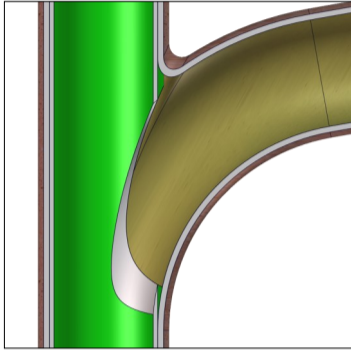
Special Drill Head



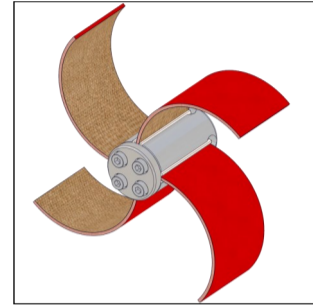
Tiger Bore



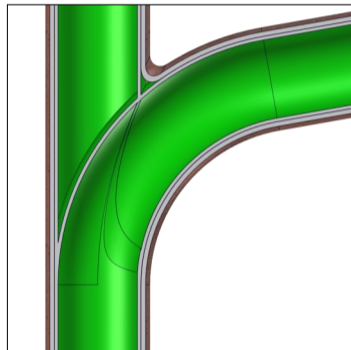
Smart Cutter™



OPENED



Smart Cutter™

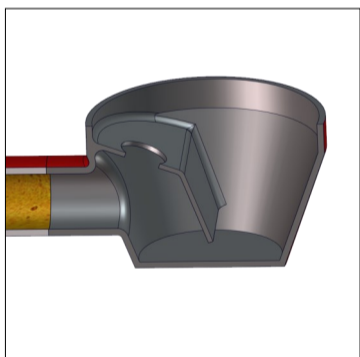


LINED

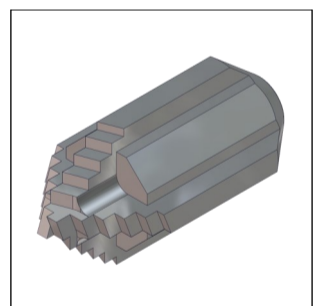


Twister Mini Express

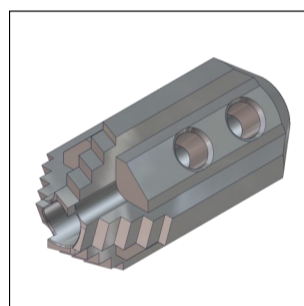
S
P
E
C
I
A
L



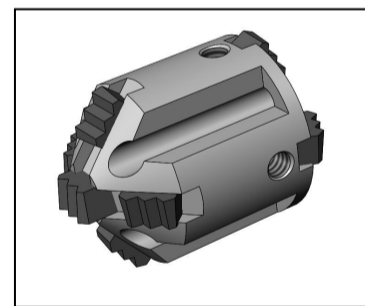
FLOOR DRAIN



Special Drill Head



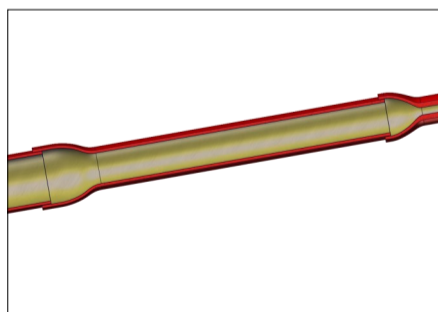
Special Drill Head (3D)



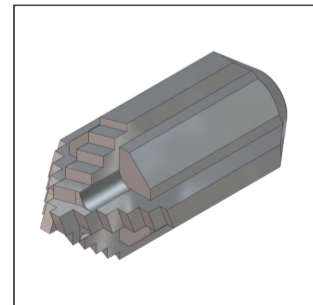
Tiger Bore



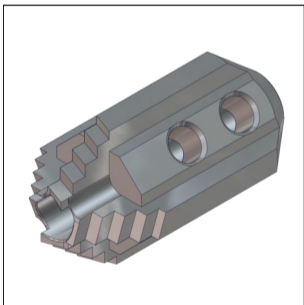
Smart Cutter™



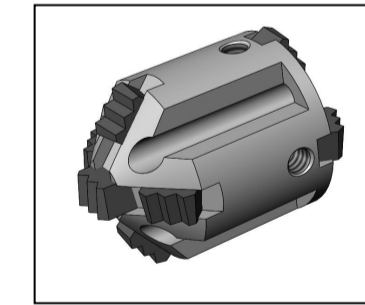
SIZE CHANGE



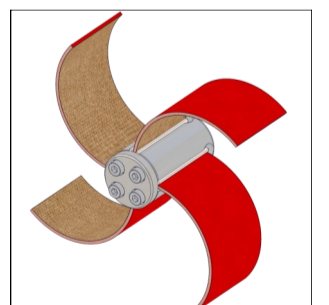
Special Drill Head



Special Drill Head (3D)



Tiger Bore



Smart Cutter™

Micro Miller

Shaft Diameter: 8 mm (1/3")

Range: 12 metres (39 ft)

Additional Extension: 10 metres (32 ft) (Sold Separately)

Recommended Diameter Range: DN50 - 75 (2 - 3")

Mini Miller

Shaft Diameter: 8 mm (1/3")

Range: 16 metres (50 ft)

Additional Extension: 10 metres (32 ft) (Sold Separately)

Recommended Diameter Range : DN50 - 75 (2 - 3")

Available Tools

Smart Cutter™ DN50 - 75 (2 - 3")

Twister Mini Express DN50 - 70 (2 - 3")

Special Drill Head DN50 - 75 (2 - 3")

Special Drill Head (3D) DN50 - 75 (2 - 3")

Tiger Bore DN50 - 75 (2 - 3")