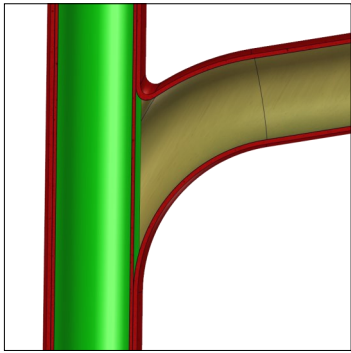


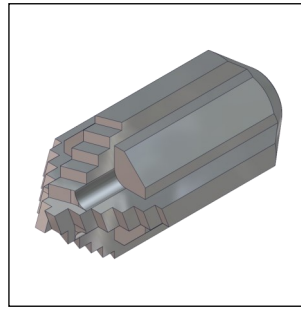
S
T
A
N
D
A
R
D



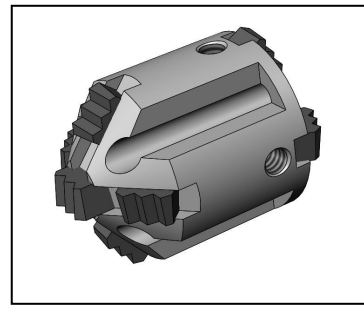
UNLINED



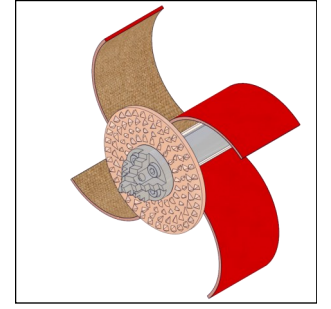
Twister Mini Express



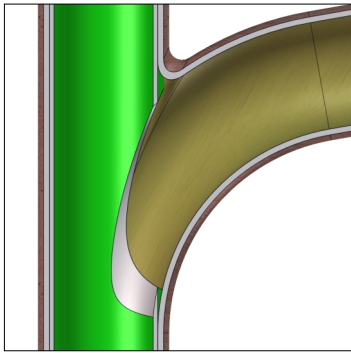
Special Drill Head



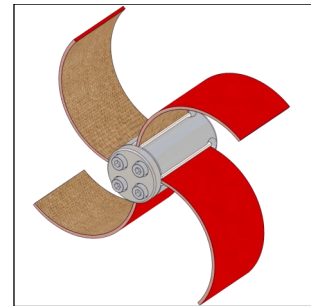
Tiger Bore



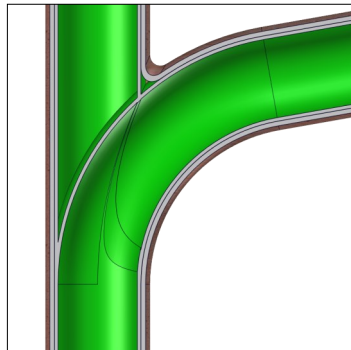
Smart Cutter™



OPENED



Smart Cutter™

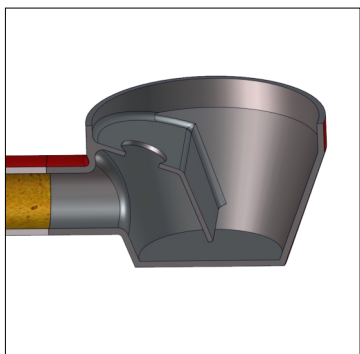


LINED

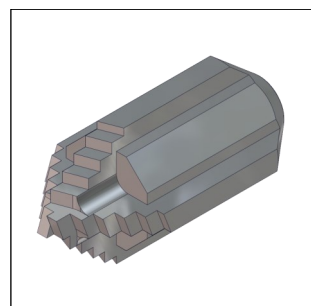


Twister Mini Express

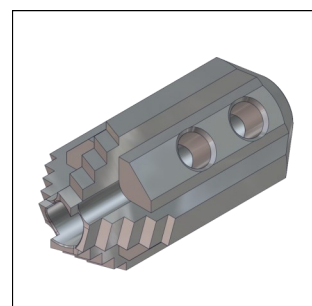
S
P
E
C
I
A
L



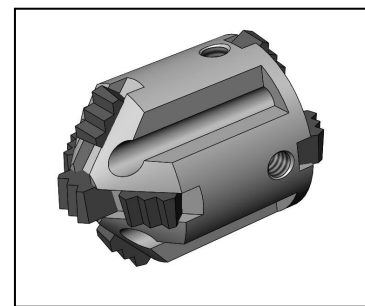
FLOOR DRAIN



Special Drill Head



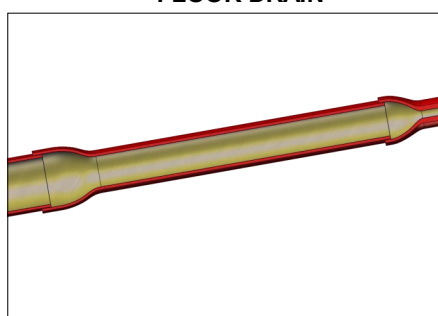
Special Drill Head (3D)



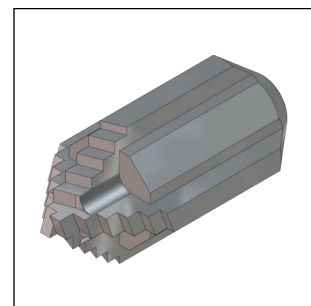
Tiger Bore



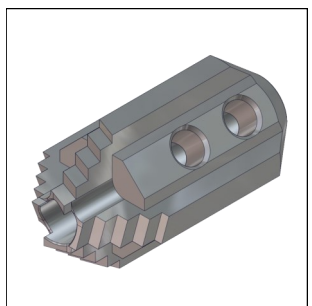
Smart Cutter™



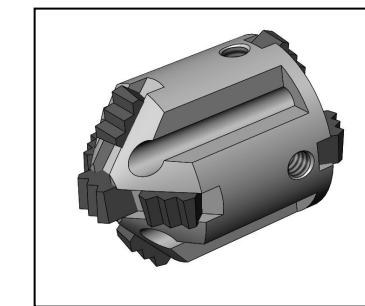
SIZE CHANGE



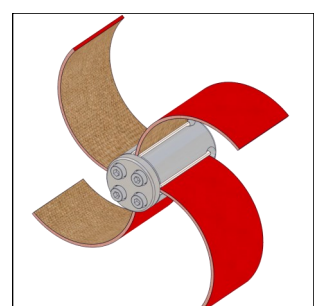
Special Drill Head



Special Drill Head (3D)



Tiger Bore



Smart Cutter™

Battery Mini Miller

Shaft Diameter: **8 mm (1/3")**

Mini Miller Range: **16 metres (50 ft)**

Additional Extension: **** 10 metres (32 ft)**

Recommended Diameter Range: **DN50-70 (2-3")**

** Shaft extension sold separately.

Available Tools

Available Tools	Size Diameter
Smart Cutter™	DN50 - 75 (2 - 3")
Twister Mini Express	DN50 - 70 (2 - 3")
Special Drill Head	DN50 - 75 (2 - 3")
Special Drill Head (3D)	DN50 - 75 (2 - 3")
Tiger Bore	DN50 - 75 (2 - 3")